

INSTRUCTION MANUAL

1/5TH SCALE BRUSHLESS POWER RC MODEL



- OFF-ROAD BUGGY
- SHORT COURSE
- MONSTER TRUCK

Notes:

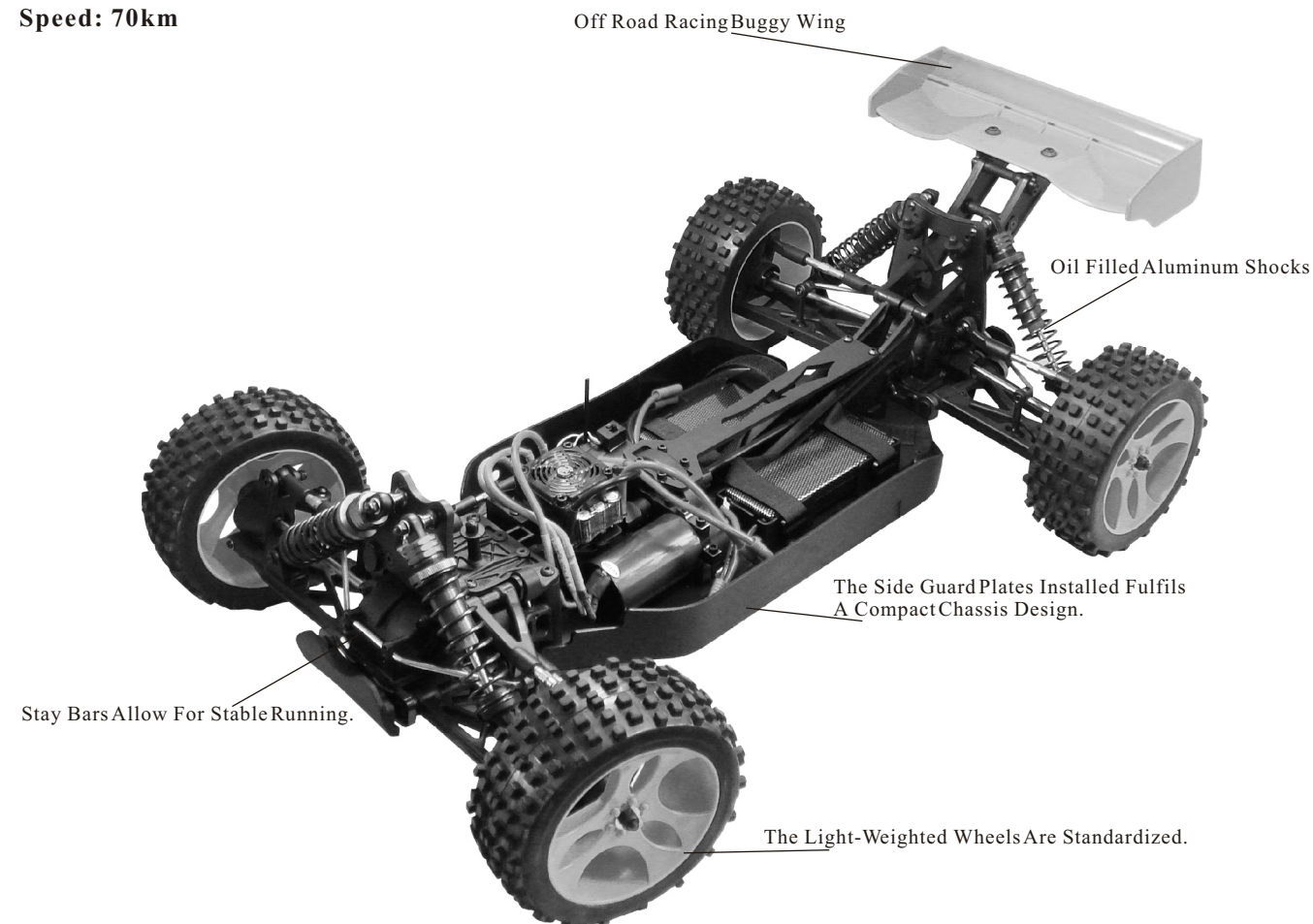
The radio controlled racing models is not toy. It is suited for experienced operators. Read and understand the instructions carefully before operating or assembling your racing model. Specifications are subject to change without prior notice, and actual received model may vary from the images and/or descriptions in this manual.

Specifications:(Buggy)

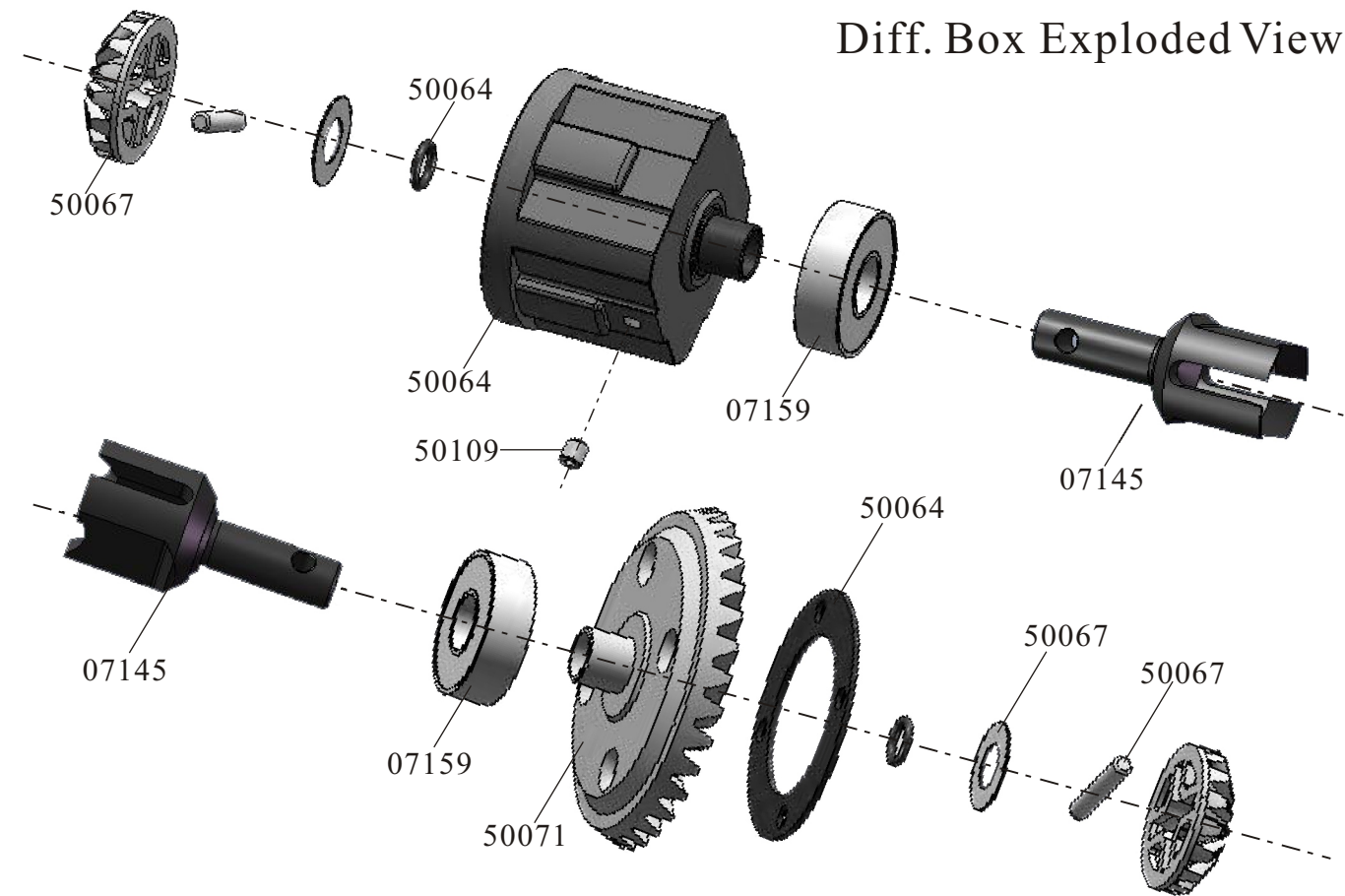
Length: 750mm Width: 540mm
 Height: 320mm Wheelbase:515mm
 Gear Ratio: 1:11.18
 Ground Clearance: 42mm
 Motor Type: 4475, 1220kv
 Motor RPM range: 18056 rpm
 Brushlee ESC: 125A w/fan
 Battery Type: Li-Po 7.4v 3700mAh*2
 Radio System: 3Channel 2.4G
 Drive System: 4 Wheel Drive
 Chassis Type:4mm Aluminum 6061T6
 ESC Temperature protection: 98 (+/-3-5 centigrade)
 Under Voltage Protection: below 3.2v/cell
 Speed: 55km

Pro Version Specifications:(Buggy)

Length: 750mm Width: 540mm
 Height: 320mm Wheelbase:515mm
 Gear Ratio: 1:12.3
 Ground Clearance: 42mm
 Motor Type: 4485, 1150kv
 Motor RPM range: 25530 rpm
 Brushlee ESC: 125A w/fan
 Battery Type: Li-Po 11.1v 3600mAh*2
 Radio System: 3Channel 2.4G
 Drive System: 4 Wheel Drive
 Chassis Type:4mm Aluminum 6061T6
 ESC Temperature protection: 98 (+/-3-5 centigrade)
 Under Voltage Protection: below 3.2v/cell
 Speed: 70km

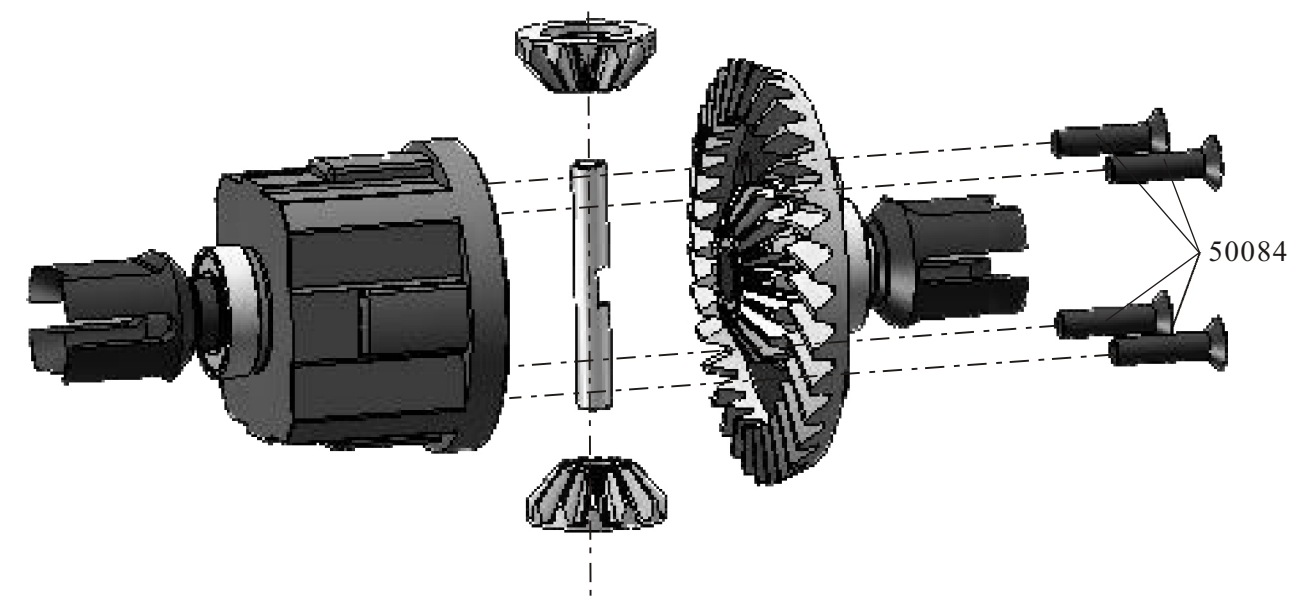


Diff. Box Exploded View

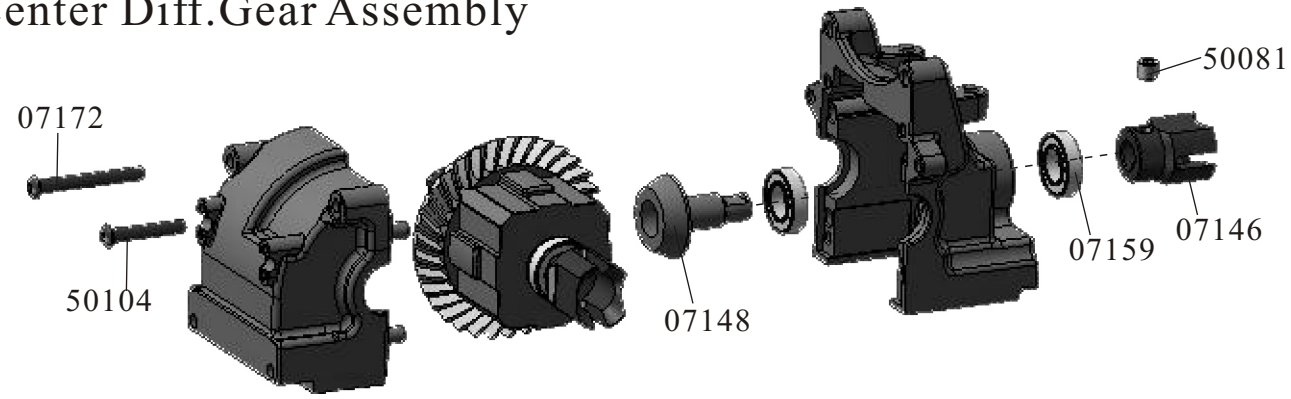


⚠ Don't forget to assemble the O Ring.

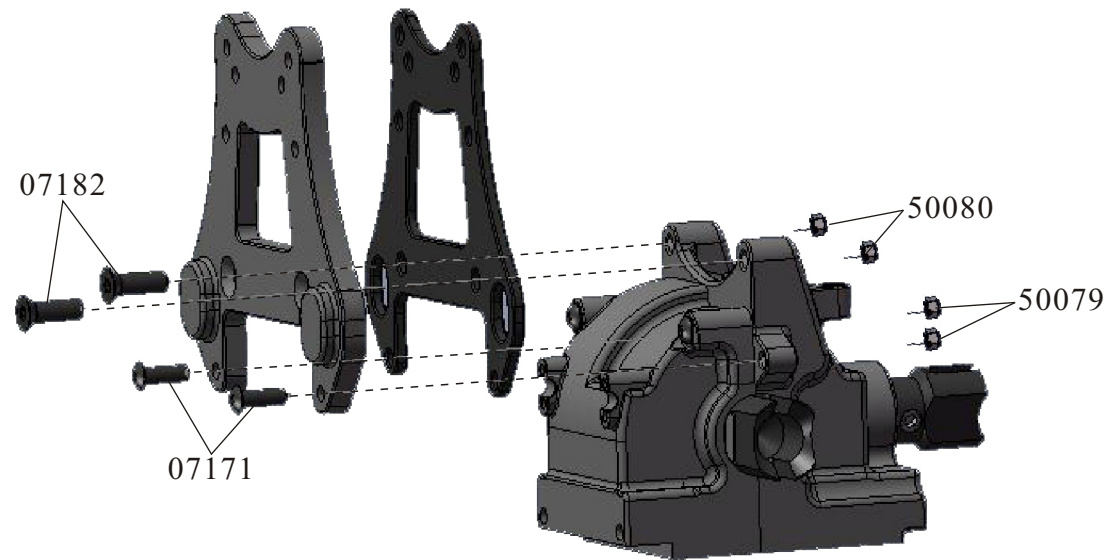
Diff.Gear Assembly



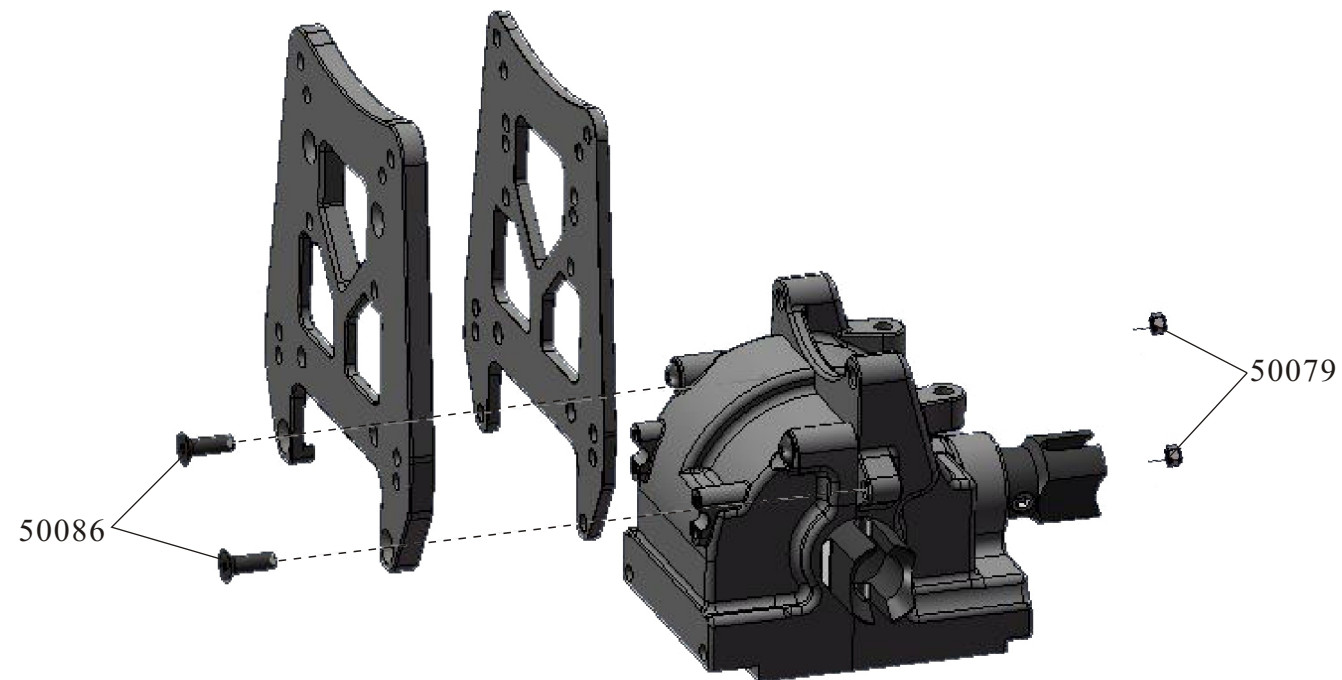
Center Diff.Gear Assembly



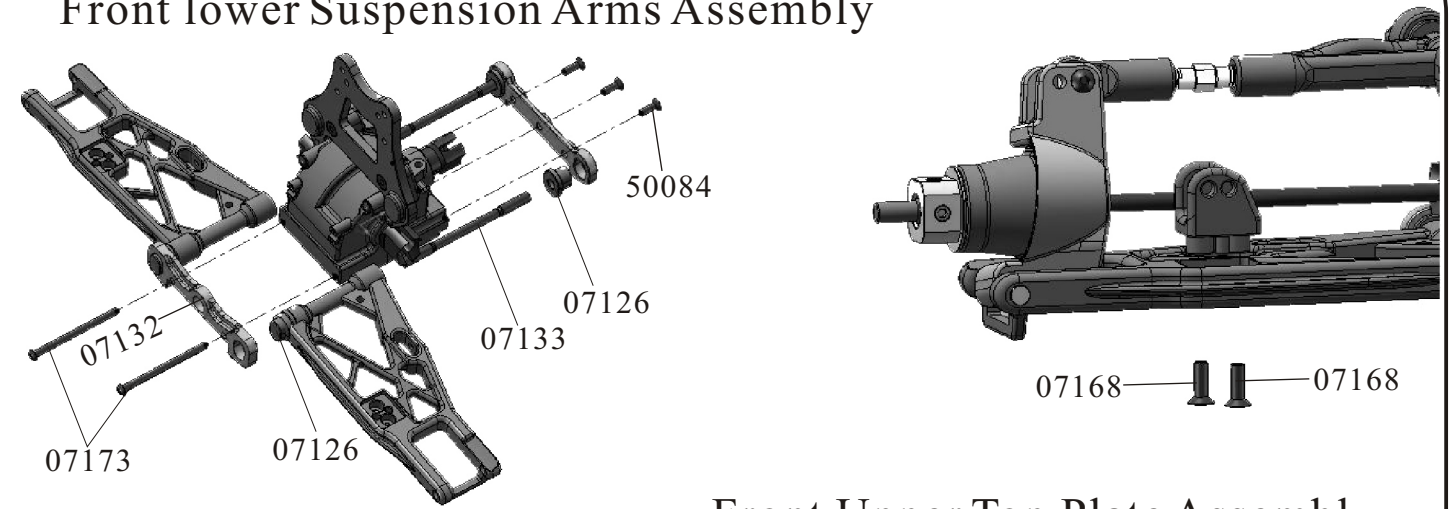
Front Shock Tower Assembly



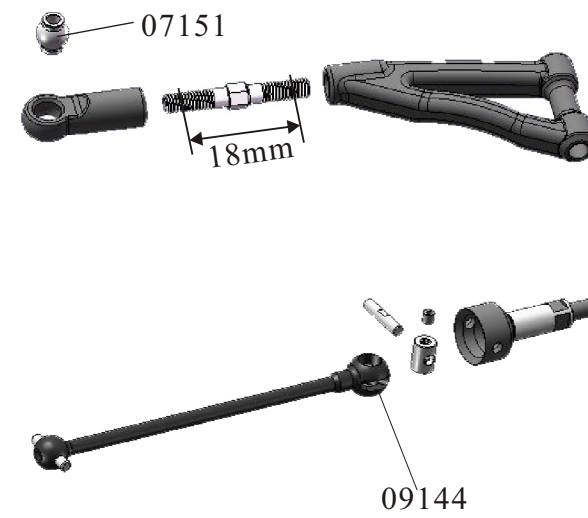
Rear Shock Tower Assembly



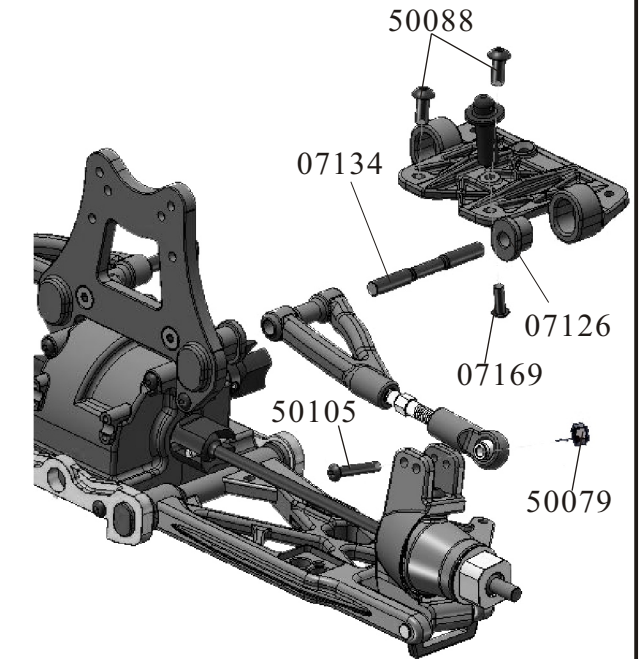
Front lower Suspension Arms Assembly



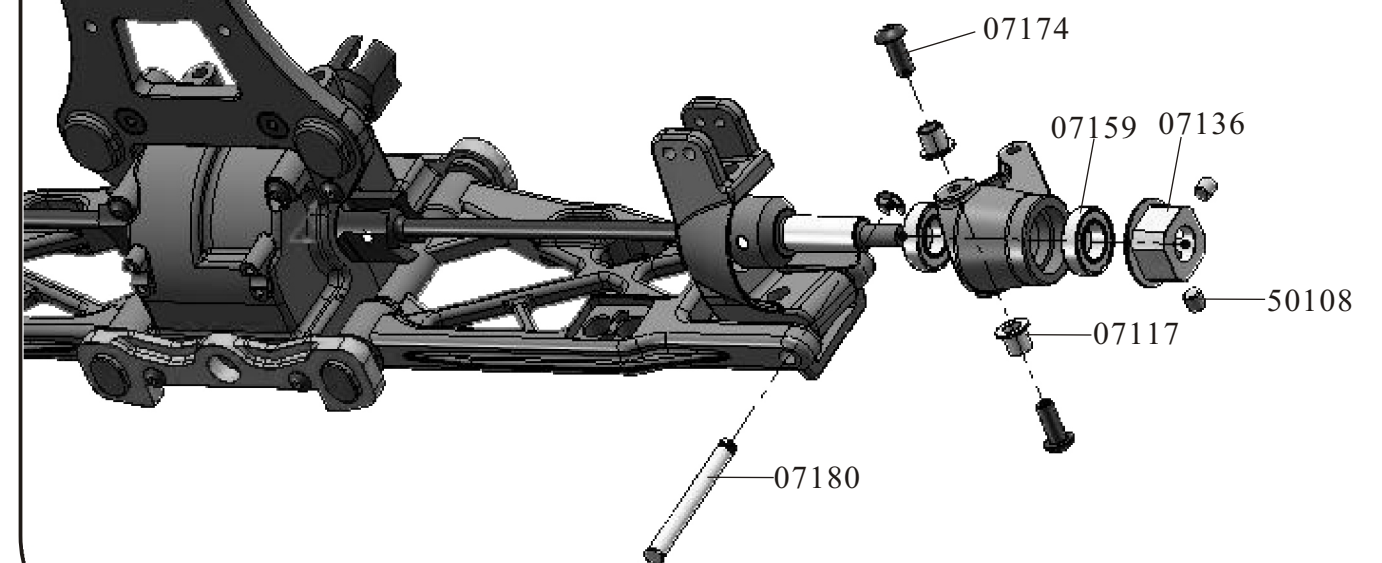
Front Upper Suspension Arms Assembly



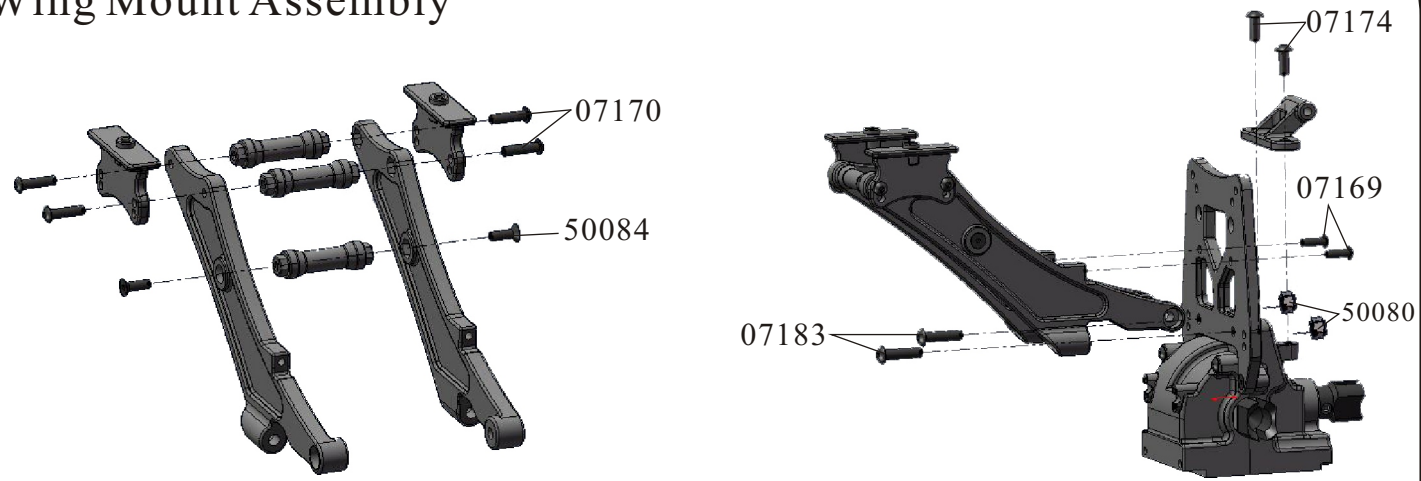
Front Upper Top Plate Assembly



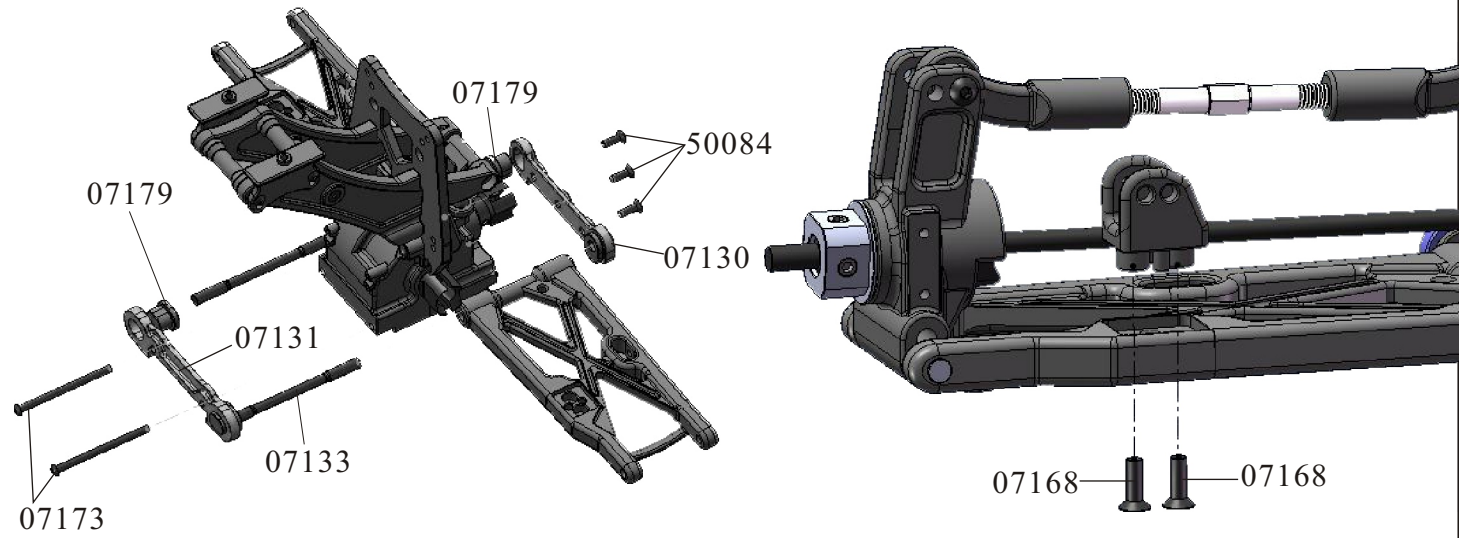
Steering Mount Assembly



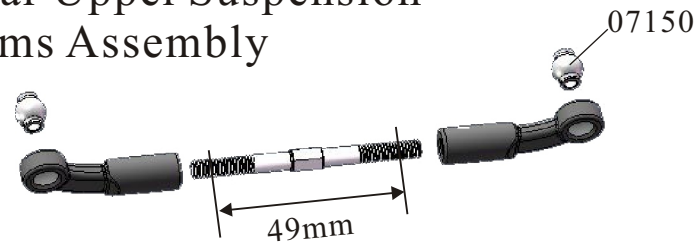
Wing Mount Assembly



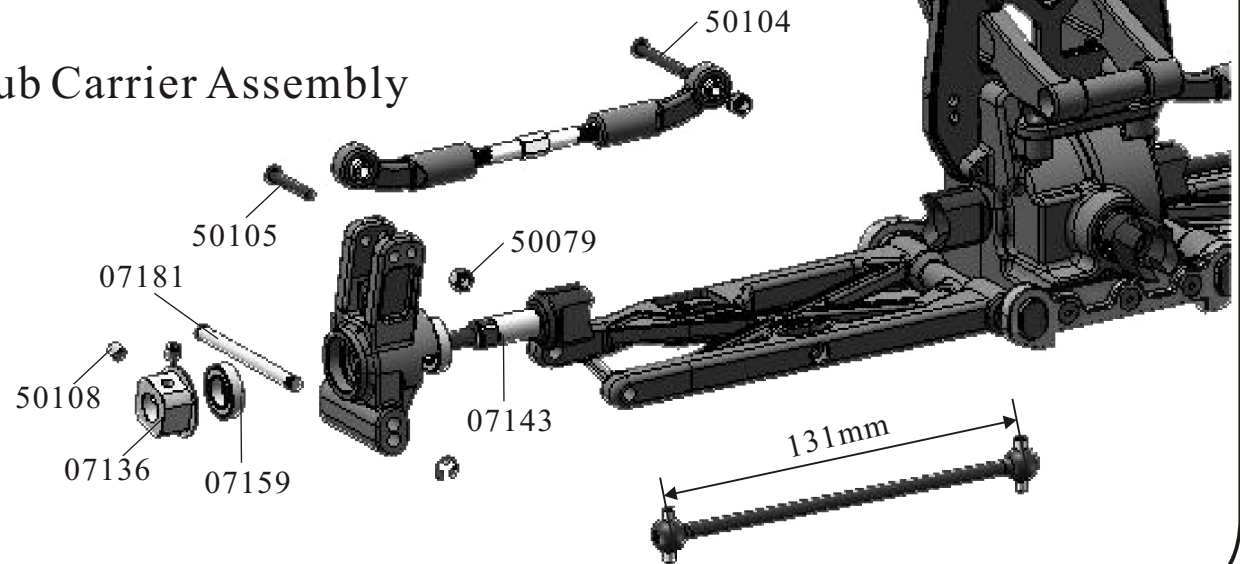
Rear lower Suspension Arms Assembly



Rear Upper Suspension Arms Assembly



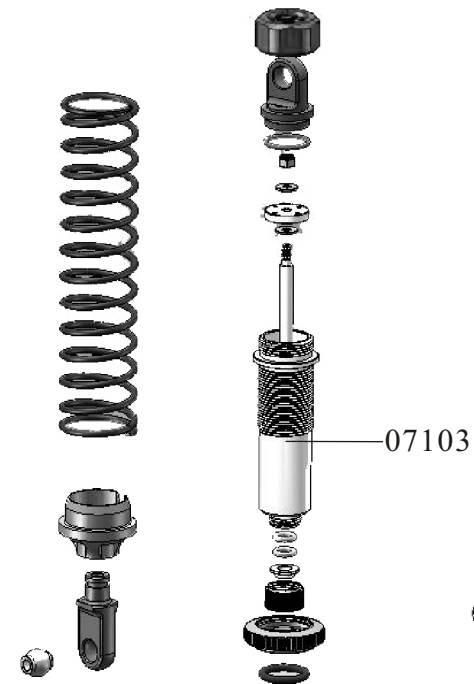
Rear Hub Carrier Assembly



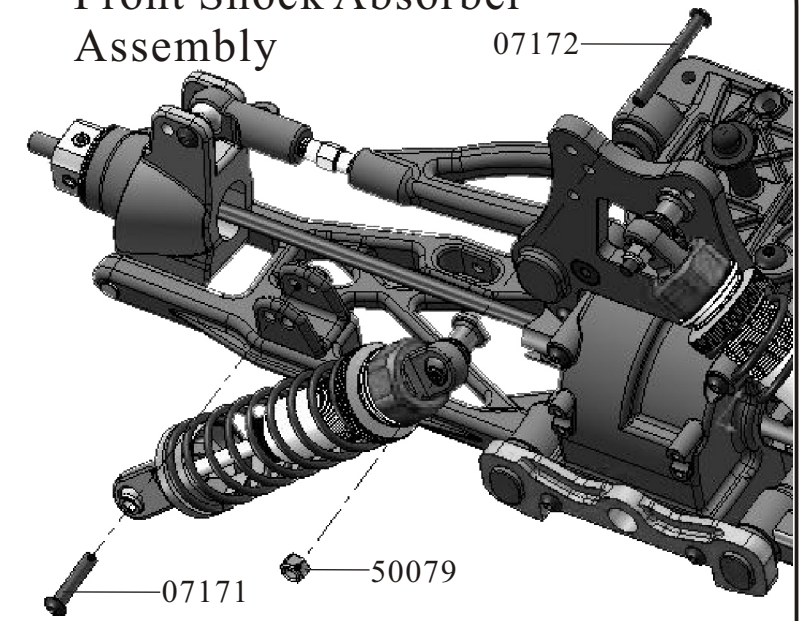
Front Shock Absorber Exploded View(short)



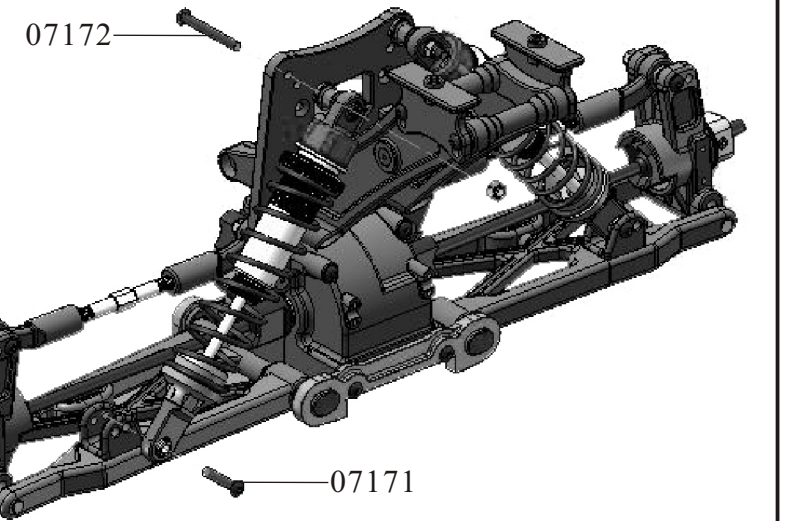
Rear Shock Absorber Exploded View(long)



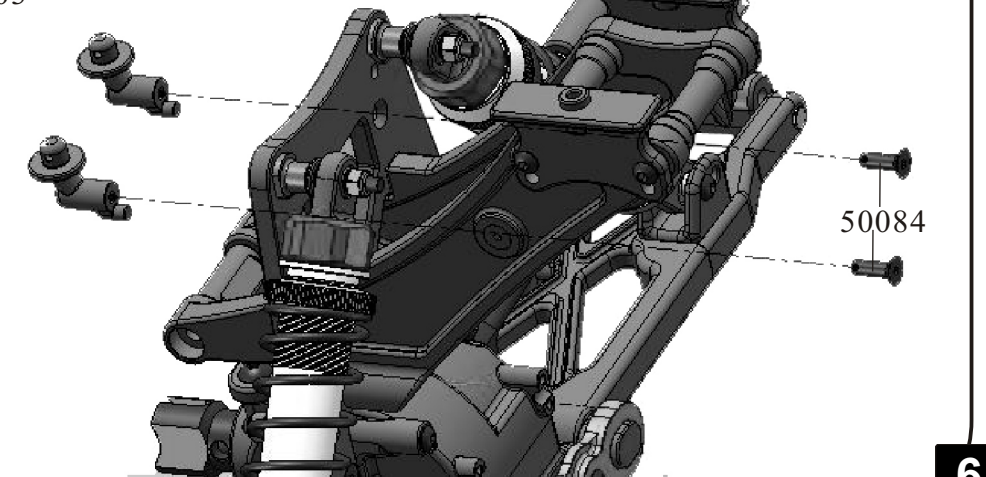
Front Shock Absorber Assembly



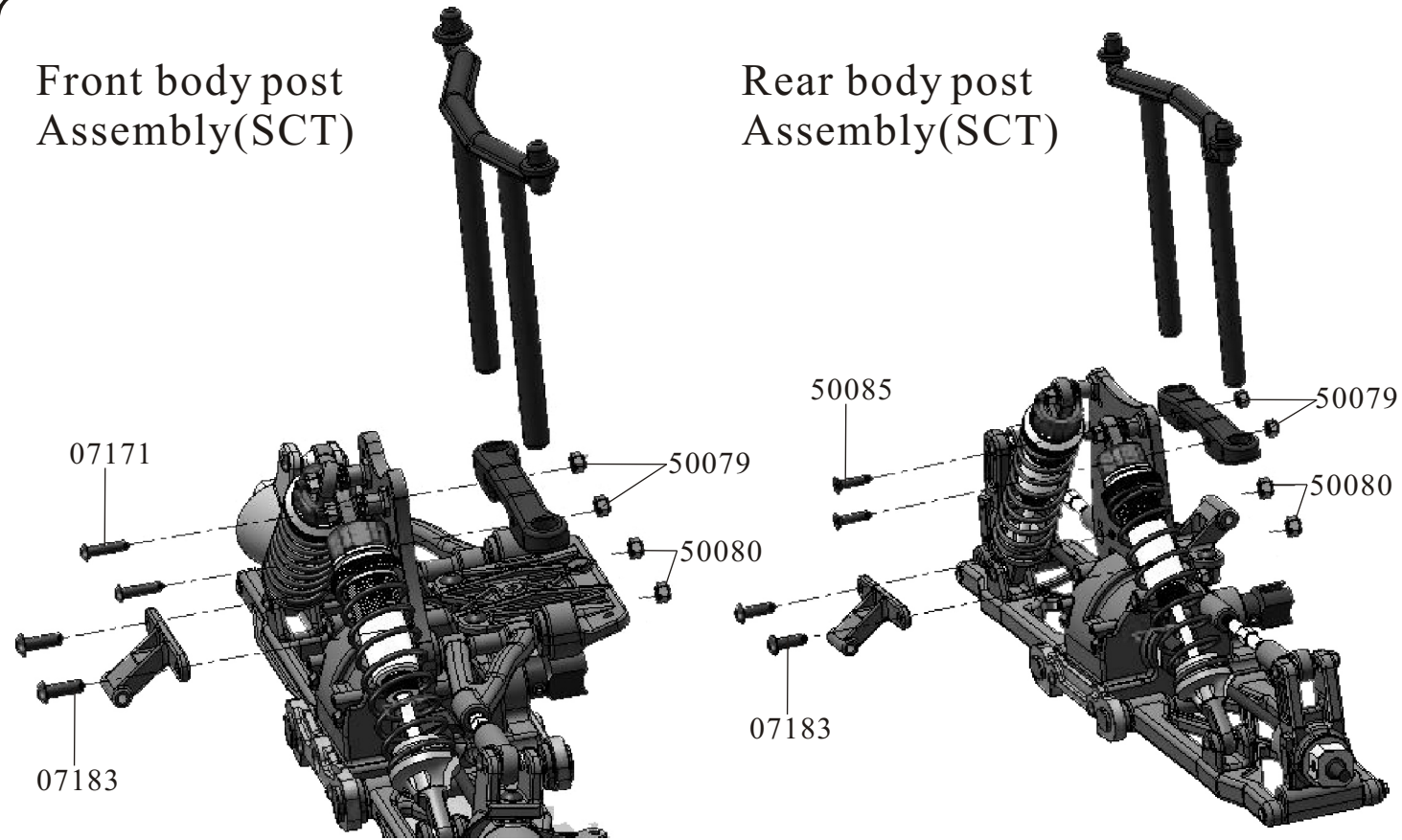
Rear Shock Absorber Assembly



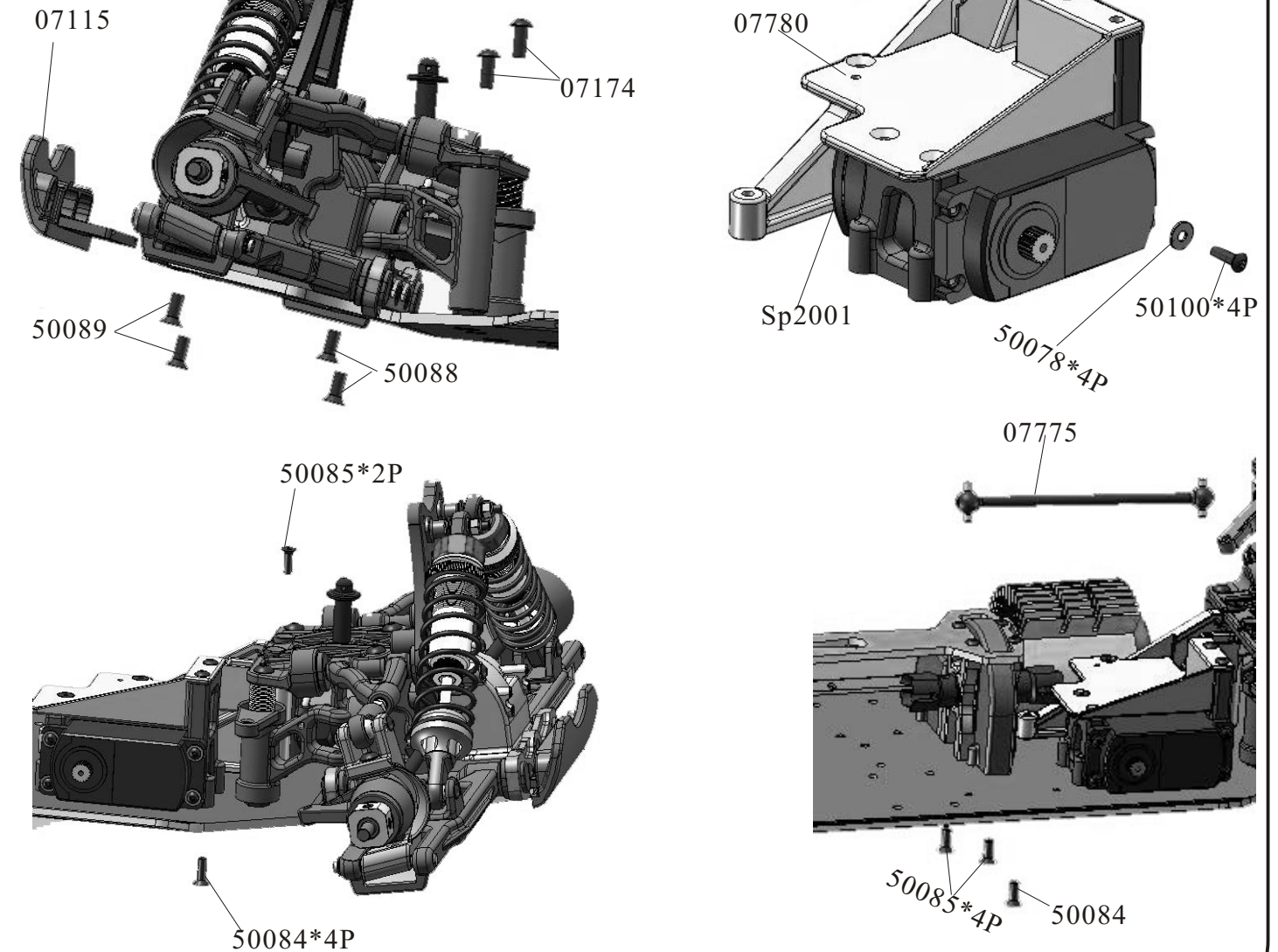
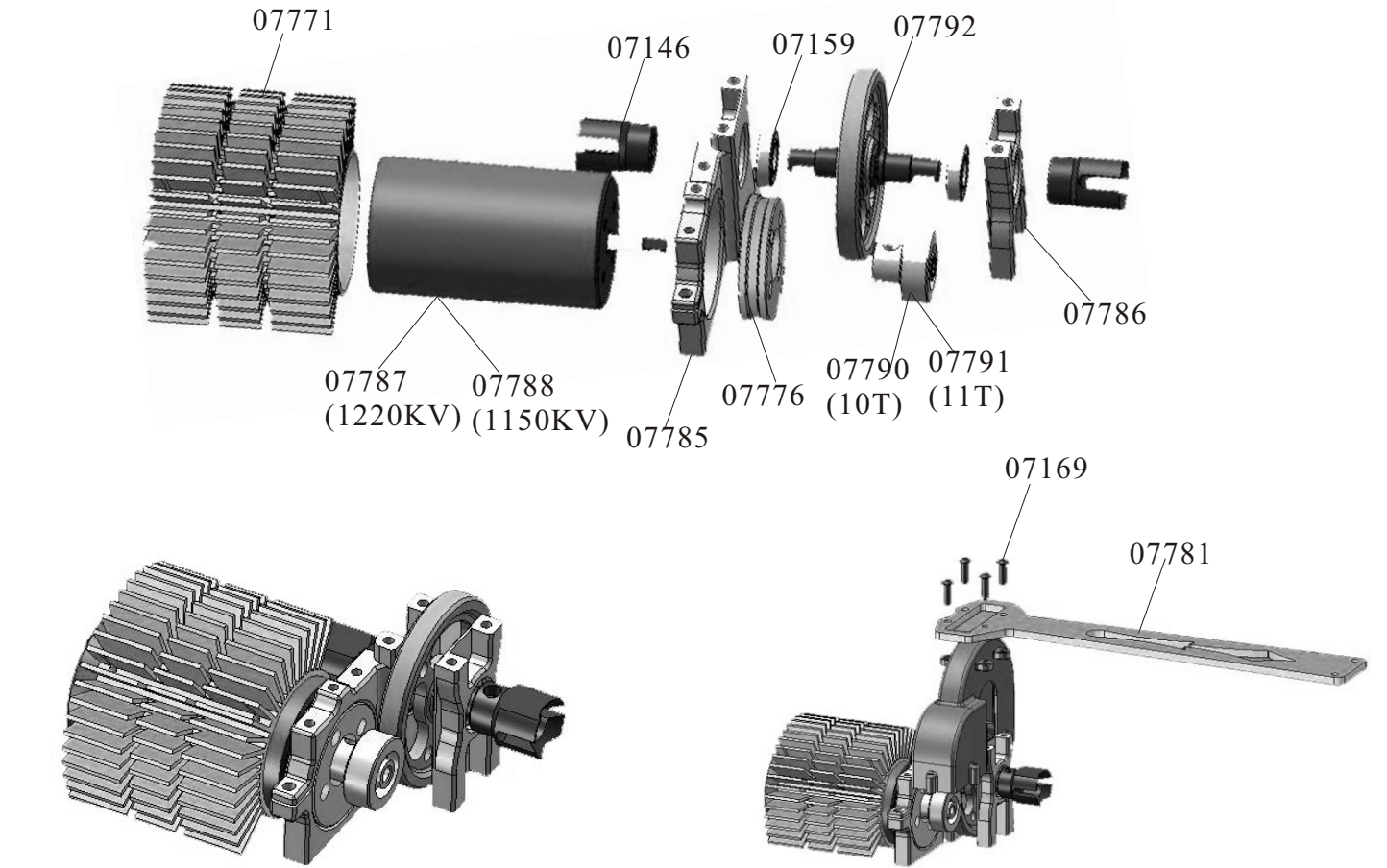
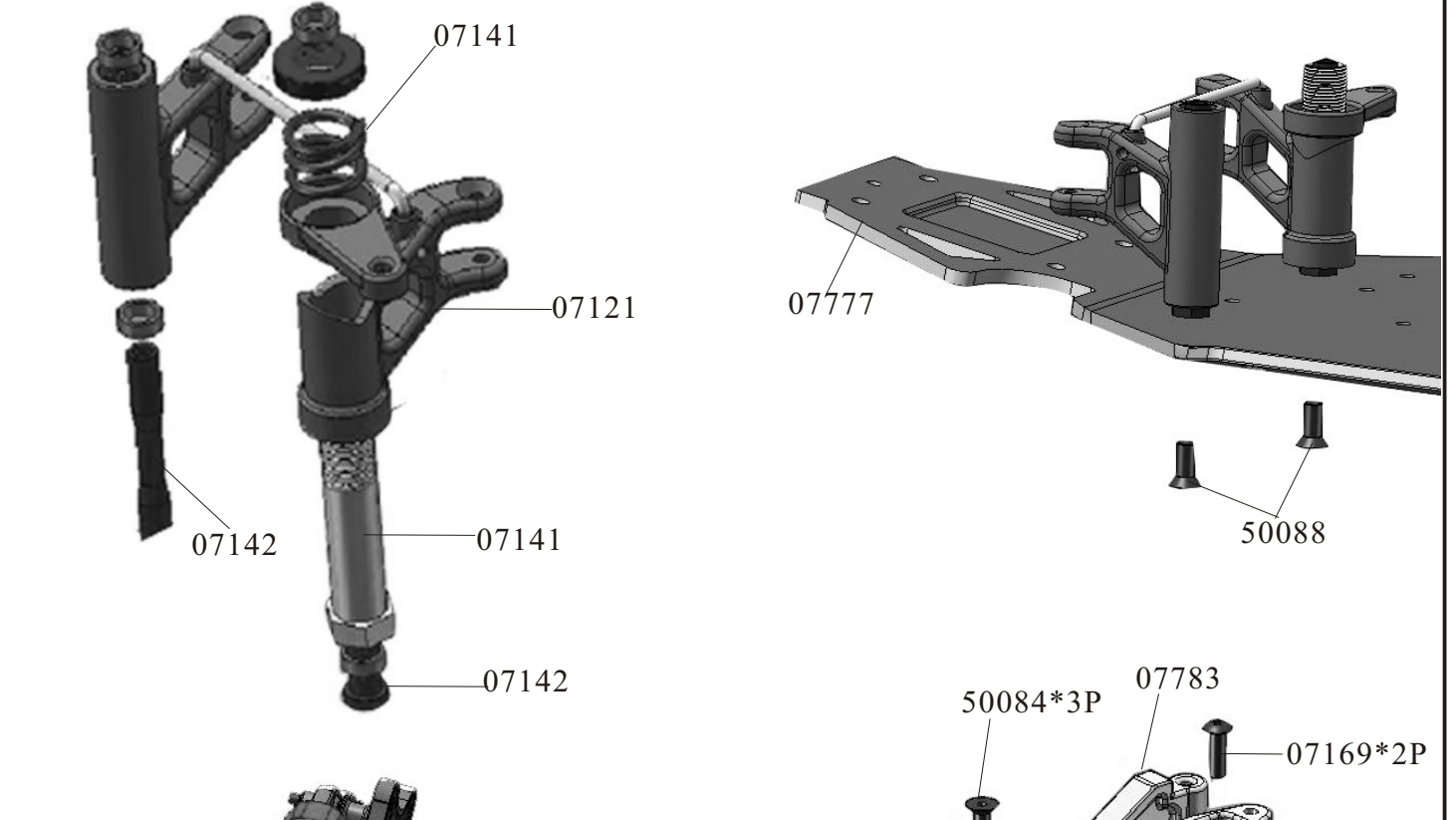
Rear body post Assembly(Buggy)

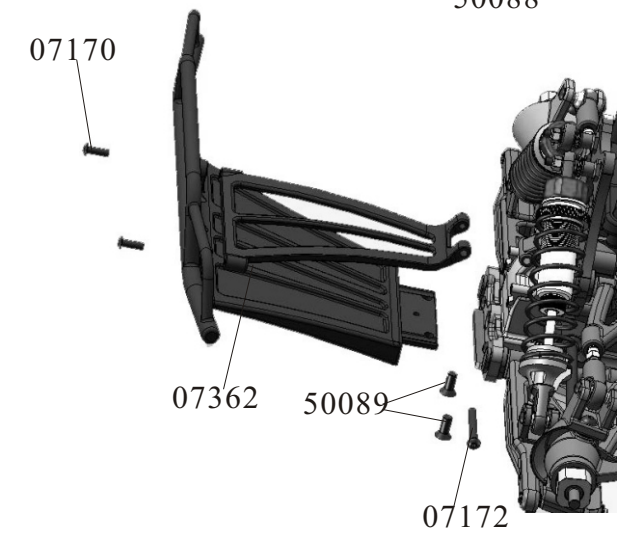
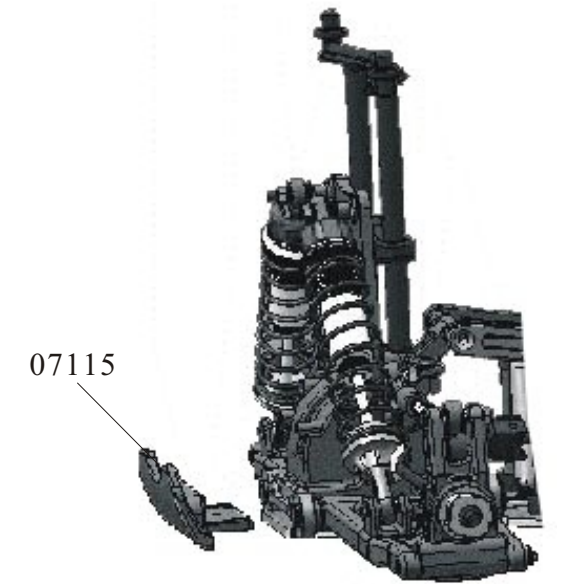
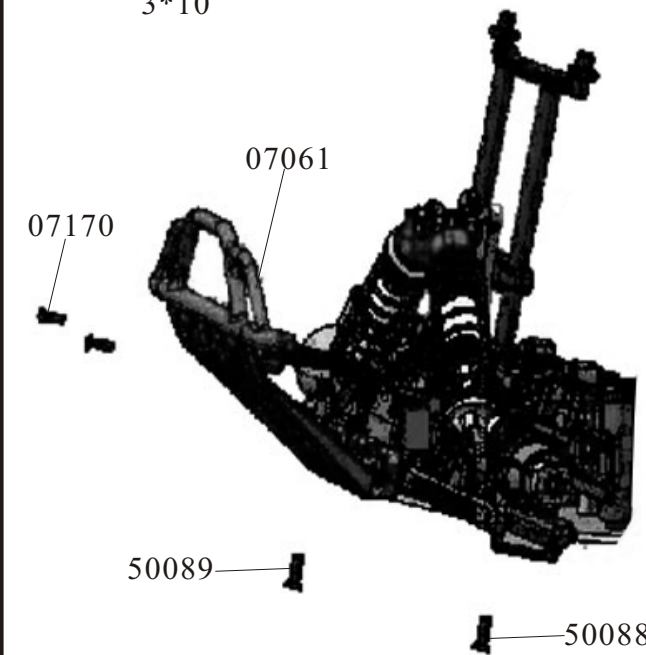
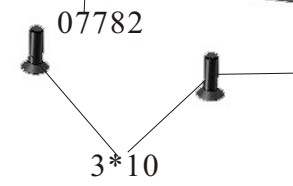
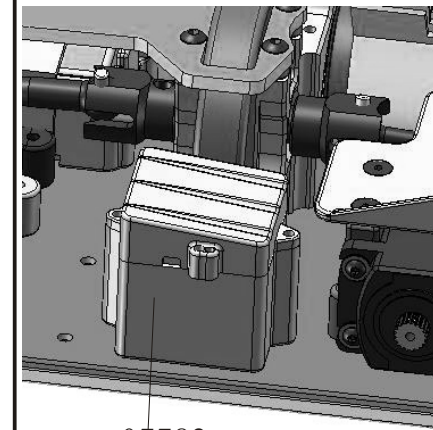
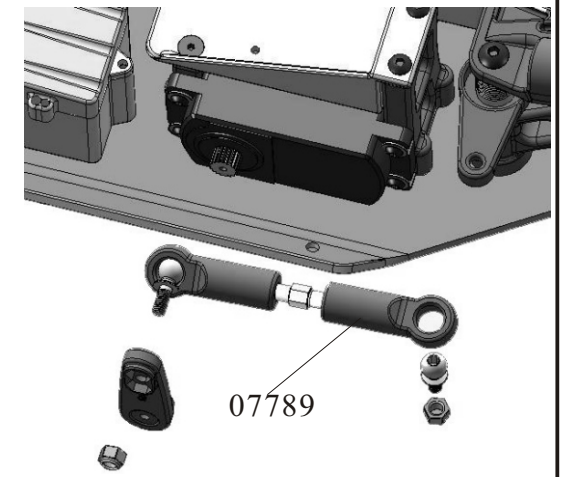
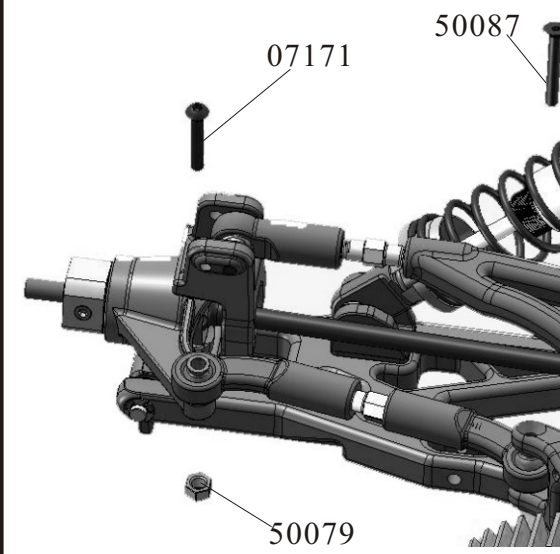
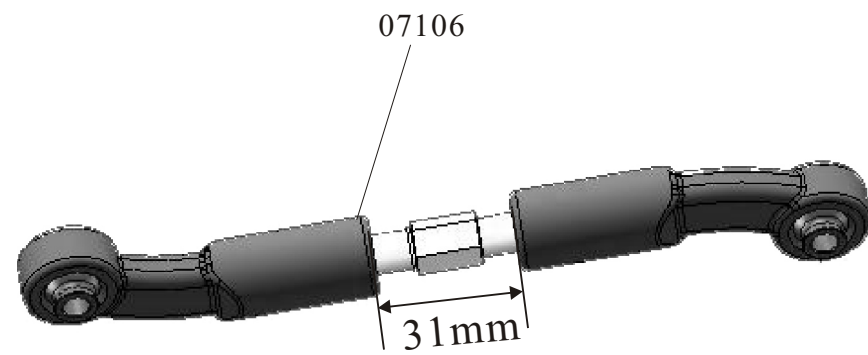
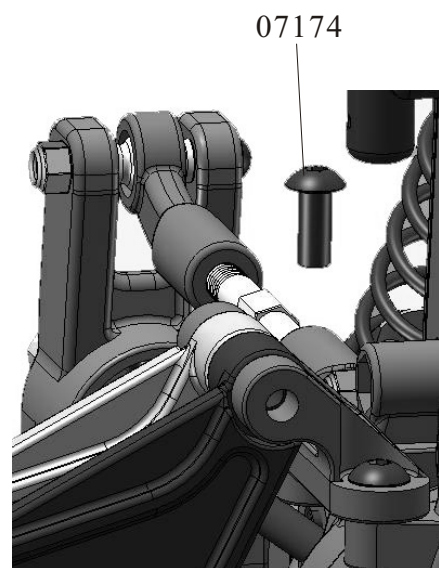
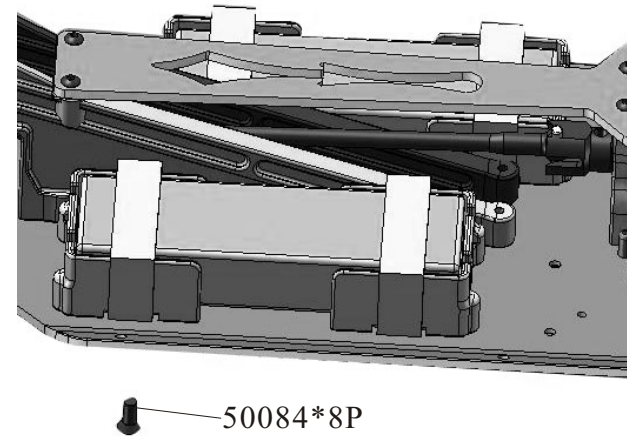
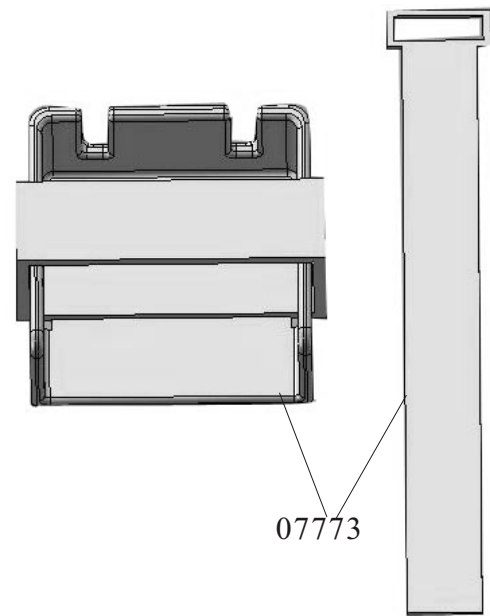
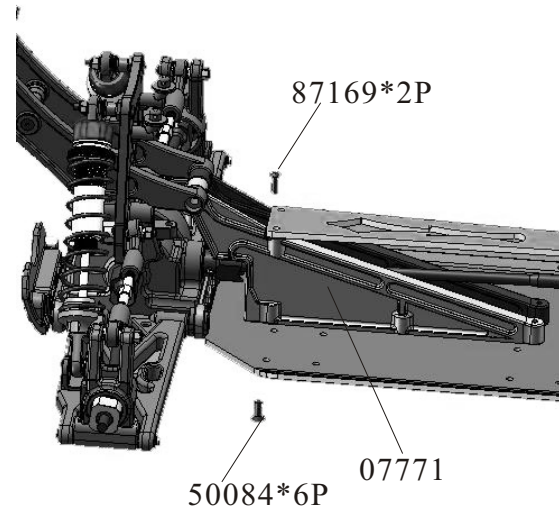
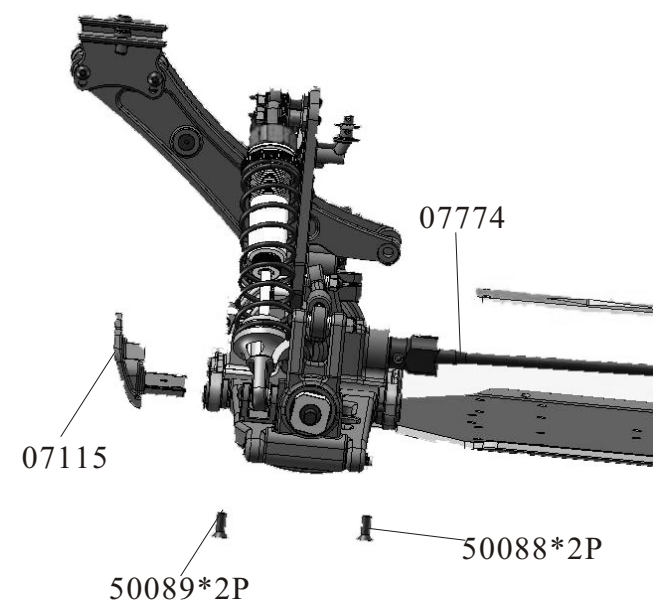


Front body post
Assembly(SCT)

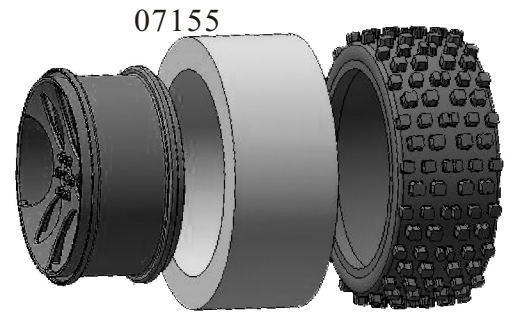


Rear body post
Assembly(SCT)

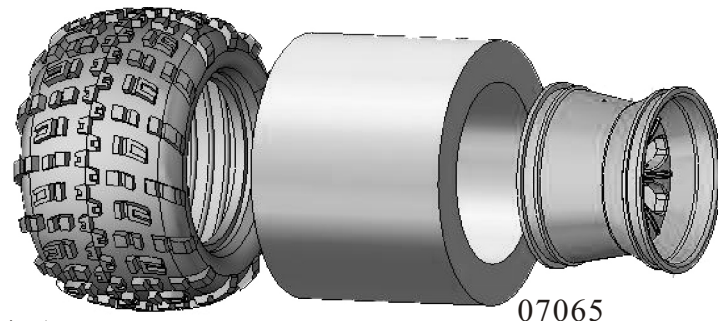




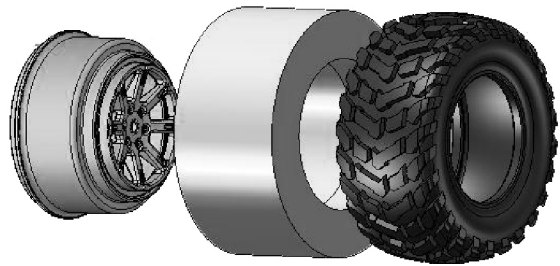
Buggy Wheels Complete Assembly



Truck Wheels Complete Assembly(L/R)



SCT Wheels Complete Assembly(L/R)



07364

