

Instructions

1/8th-1/10th SCALE NITRO STARTER BOX

Thank you for purchasing the **1/8th-1/10th Nitro Starter Box**. The **1/8th-1/10th Nitro Starter Box** was designed to offer an efficient nitro motor starting system. These instructions will help you configure the starter box layout and power source to your specific needs. Please take a few short minutes and read through these instructions to familiarize yourself with the 1/8th-1/10th Nitro Starter Box before installing the components and using it. A few minutes up front will make the installation and setup easier to understand.

Features:

- 1) The 1/8th -1/10th Nitro Starter Box offers you two convenient power configurations. You can choose between two 7.2V 6-Cell Stick Battery Packs or the power of a 12V Gel Cell Sealed Lead Acid Battery.
- 2) The power ports can be wired for charging or for powering other accessories off the starter box batteries.
- 3) Two powerful brushed motors provide ample power for starting even the largest displacement nitro car engines and can be arranged in two different configurations to facilitate different chassis layouts.

Specifications:

Description: Nitro Engine Starter Box

Part Number: B7016

Weight: w/o Batteries: 2505g

Dimensions: 355*120*95mm

Installation:

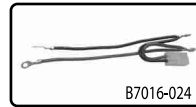
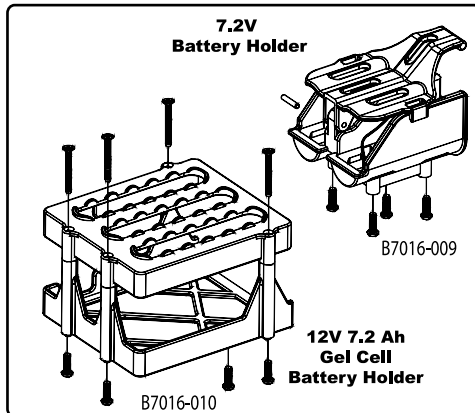
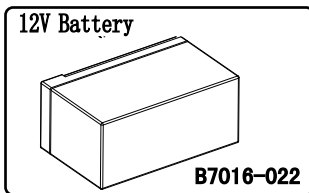
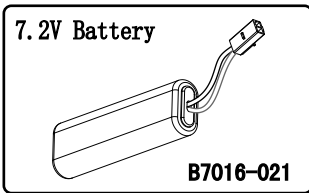
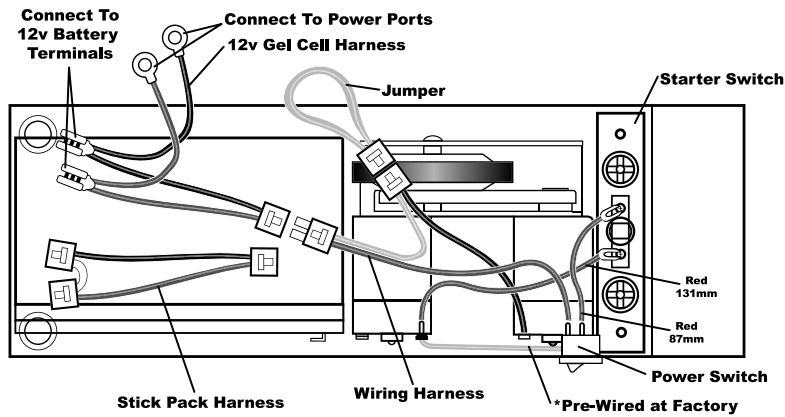
- 1) Select a starter box motor configuration to suit your needs and reconfigure motor placement if necessary.
- 2) Select a battery type for your starter box power and install the correct battery holder.
Note: For the 12V holder, the open end should face the back of the box. When installed correctly the 12V battery will sit snugly against the back wall of the starter box and be secured at the front by the holder and holder lid. Secure the holder to the box using four 10mm button head screws. Secure the top of the 12V battery holder using four 30mm flat head screws.
Note: When attached correctly, the 7.2V stick battery pack holder lid should open and hinge towards the front of the box.
- 3) Attach the 87mm red wire with the 2-prong connector to the starter switch. Attach the other end of the 87mm red wire to the power switch
- 4) Attach the 131mm red wire with 2-prong connector onto the other side of the starter switch. Attach the other end of the 131mm red wire to the motor farthest from the starter switch.
- 5) To mount the guide posts, insert the plastic cylinders (raised tabs facing up) through the bottom of the slots in the starter box lid. Secure the cylinders to the guide posts with a 3*12mm self tapping flat head screw. Arrange the guide posts so that the engine flywheel on your model will line up with the starter box wheel. Use as many posts as you feel necessary. Properly placed guide posts will ensure quick alignment and fast starts every time.
- 6) Use one 10mm flat head screw to secure the top of the starter box to the top of the starter switch.

PRECAUTIONS

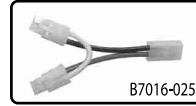
01. Do not allow water, moisture, fuel or foreign objects to come in contact with the motor.
02. Always turn the starter box "off" when not in use.

1/8th-1/10th SCALE NITRO STARTER BOX

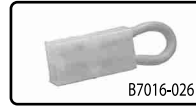
Wiring Diagram



12v Gel Cell Harness



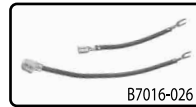
Stick Pack Harness



Jumper



Wiring Harness

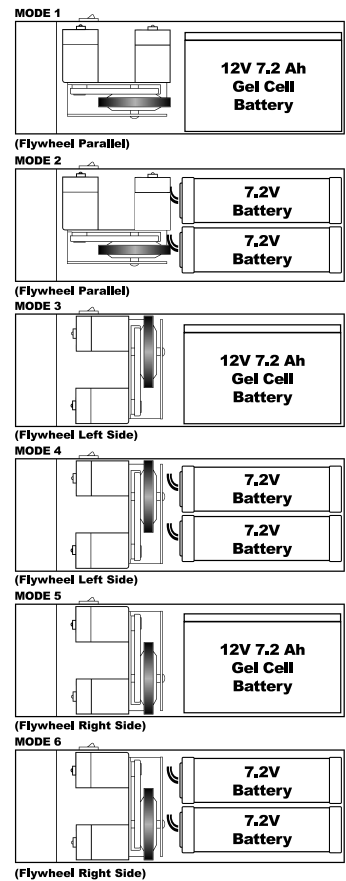


Red 87mm / 131mm

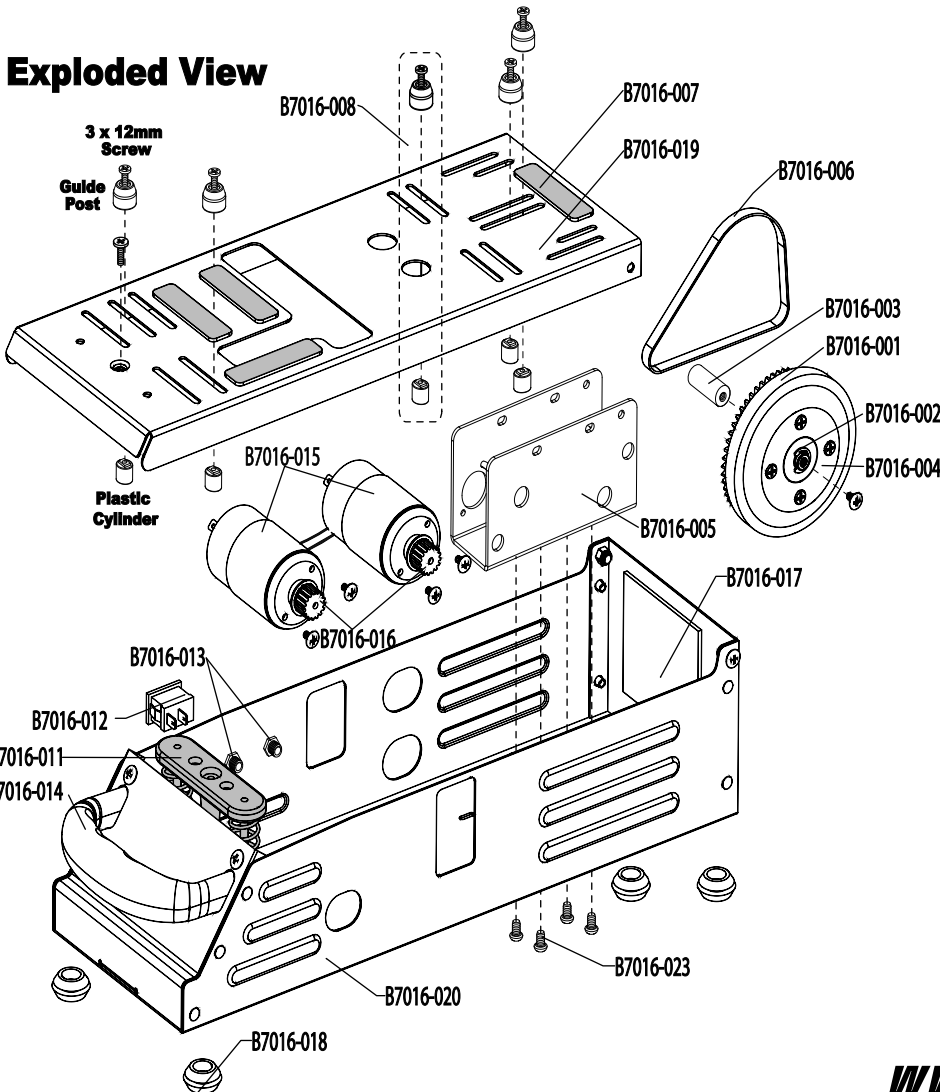


Option wires

Motor Layout



Exploded View



B7016 Part List

B7016-001	Start wheel	1PCS
B7016-002	Ball bearing 8*22*7	2PCS
B7016-003	Center shaft/E-chip/screw	1PCS
B7016-004	Spur pulley/Fixed wheel	1PCS
B7016-005	Motor holder	1PCS
B7016-006	Drive belt	1PCS
B7016-007	Non sliding pad	4PCS
B7016-008	Fix rubber upper part/under part and screw	5PCS
B7016-009	Cover and holder for 7.2V battery w/pin and screw	1PCS
B7016-010	Cover and holder for 12V battery w and screw	1PCS
B7016-011	Start switch w/pin/spring and screw	1PCS
B7016-012	Switch	1PCS
B7016-013	Anode and cathode join	1PCS
B7016-014	Handle w/Screws	1PCS
B7016-015	550 Motors/Screws	1PCS
B7016-016	Motor gear	2PCS
B7016-017	Magical sticker	1PCS
B7016-018	Rubber feet	4PCS
B7016-019	Metal cover w/screws/nut	1PCS
B7016-020	Metal main frame/end plate/front plate with rivet/screw and nut	1PCS
B7016-021	7.2V Battery	1PCS
B7016-022	12V 7.2Ah Battery	1PCS
B7016-023	IS04*5 Screws	5PCS
B7016-024	wire for 12V battery	1PCS
B7016-025	wire for 7.2V battery	1PCS
B7016-026	Cables	1PCS
B7016-027	Option wires	1PCS