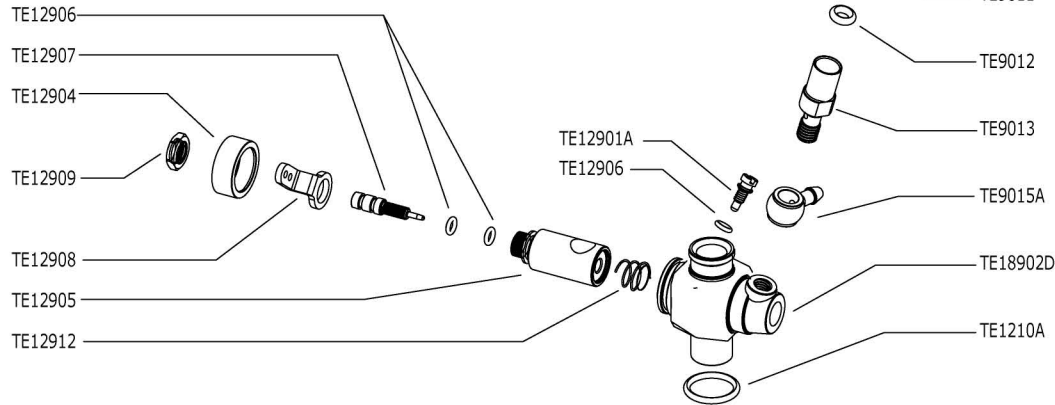
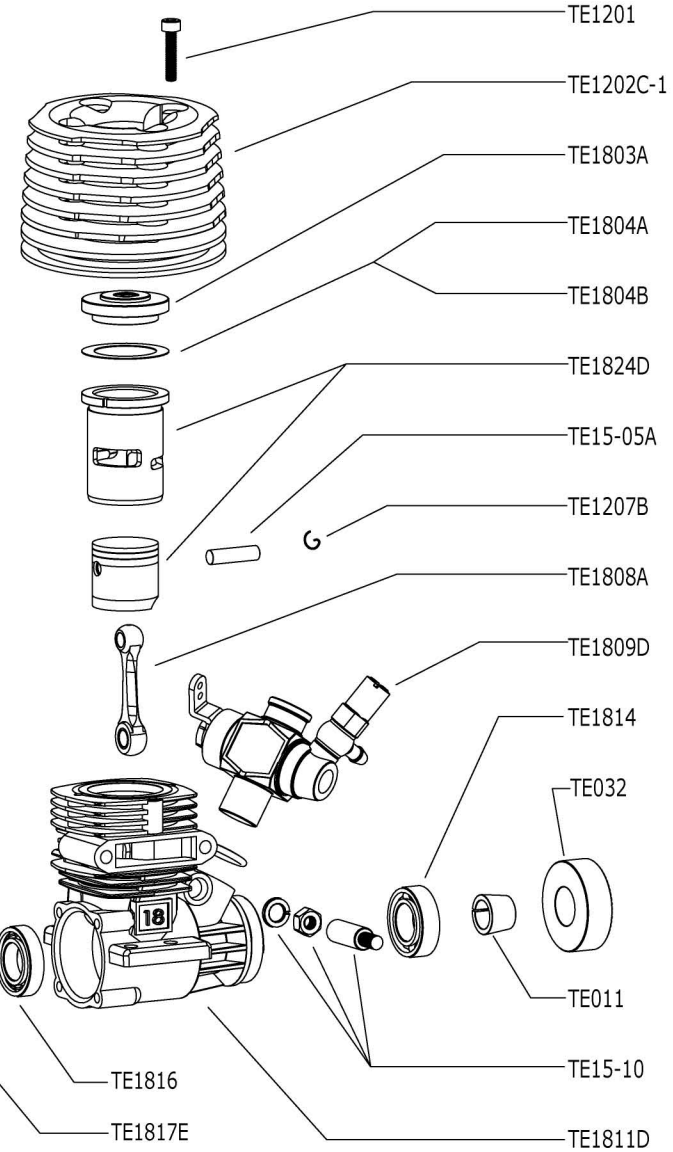


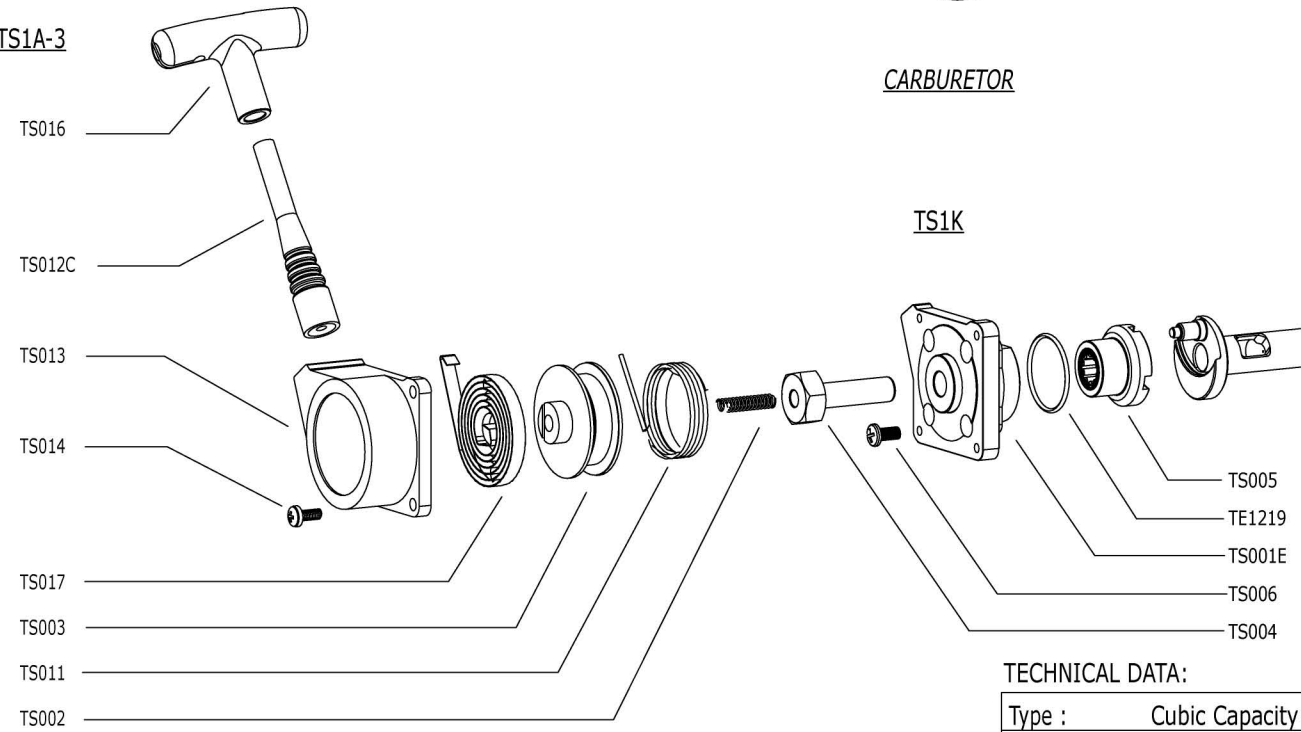
# 18 SIDE EXHAUST ENGINE Pull Starter



## CARBURETOR



## TS1K



## TECHNICAL DATA:

Type :	Cubic Capacity :	Bore :	Stroke :	R.P.M :	Power :	Weight :
PT18S01B	2.74 cc	15.90 mm	14.70 mm			280 g